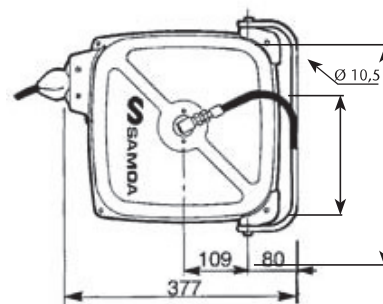


COMPACT REELS FOR AIR

500 115



Compact enclosed reels for air, manufactured in steel. All reels include pivoting wall bracket for an easy and convenient installation. Reels include polyurethane and PVC hose with a maximum working pressure of 15 bar (285 psi)

500 115 Compact hose reel for air 15 m x 8 mm hose

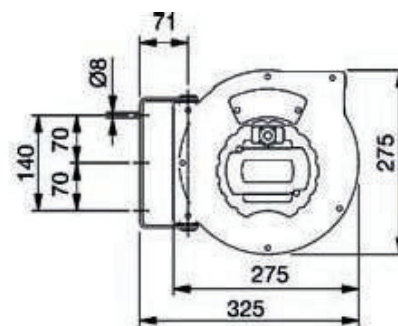
Compact reel for air and water with 15 m x 8 mm hose. Includes 0.8 m inlet hose and pivoting bracket. Inlet thread: 3/8" BSP (M). Outlet thread: 1/4" BSP (M).

500 116 Compact hose reel for air 12 m x 10 mm hose

Compact reel for air and water with 12 m x 10 mm hose. Includes 0.8 m inlet hose and pivoting bracket. Inlet thread: 3/8" BSP (M). Outlet thread: 3/8" BSP (M).

CABLE REELS

612 100 - 612 300



Compact reels with high resistance thermoplastic enclosure. Compact design, with wide outlet for a comfortable friction free cable extension. All reels include pivoting bracket, cable specified for each model, and cable overload breaker. For use with 220 V – 50 Hz only.

612 100 - 220 V, 50 Hz cable reel

Includes 15 m H05VV-F 3x1.5 mm² cable, 230 V – 50 Hz. Maximum power: 800 W with the cable coiled and 2000 W with the cable fully extended.

612 200 - 220 V, 50 Hz cable reel with 230 V AC to 24 V DC transformer

Includes 15 m H05VV-F 2x1 mm² cable. Maximum power: 60 W Includes a 220 V AC to 24 V DC transformer, for use with an E27 24 V – DC lamp (lamp not included).

612 300 - 220 V, 50 Hz cable reel with 220 V AC to 12 V DC transformer

Includes 15 m H05VV-F 2x1 mm² cable. Maximum power: 60 W Includes a 220 V AC to 12 V DC transformer, for use with an E27 12 V – DC lamp (inspection lamp included, bulb not included).