

# LBV450 Butterfly Valves

The LBV450 is a full flow hand operated or position locked butterfly valve.

The LBV450 controls flow of product through pipelines fitted with 100mm (4") TTMA flanges.

## Operation

Butterfly disc is parallel to handle and can be locked in the following positions; fully closed, 1/3rd open, 2/3rd open and fully open (90 degrees).

To change position, squeeze handle tightly so that locking lever is disengaged from slot and move to new location. Locking lever will spring back when grip is loosened on handle – ensure it is fully engaged in one of the locking slots.



LBV450 shown

## Ordering Information

- LBV450 - 4" Butterfly valve c/w bonded Viton B 70 seal
- LBV450VZ - LBV450 c/w 4" TTMA Viton gaskets
- LBV450L - 4" Butterfly valve c/w bonded seal and locking tab

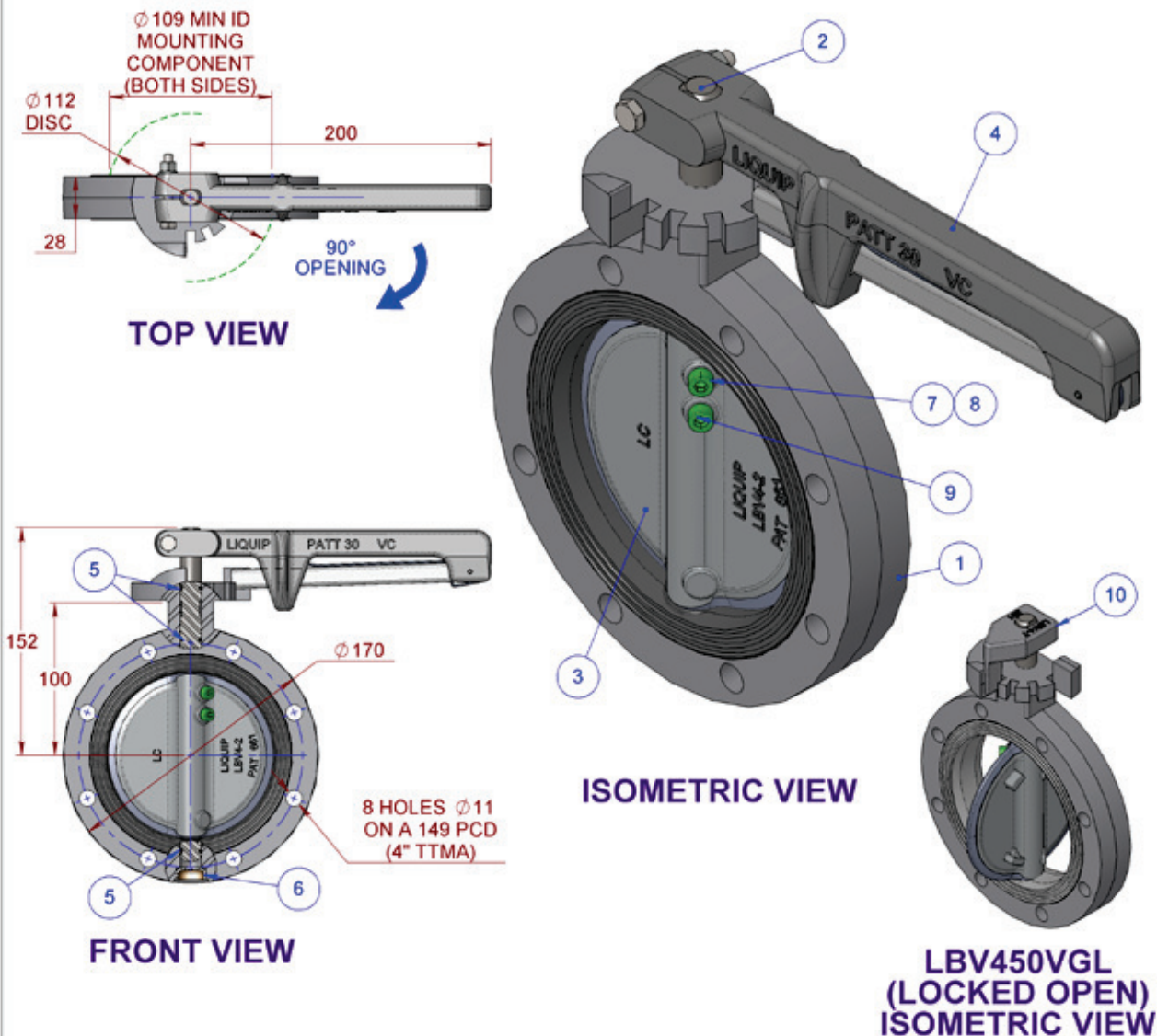
Other options

- LBV450VG- 4" Butterfly valve c/w bonded Viton GFLT seal
- LBV450VGZ - LBV450VG c/w 4" TTMA Viton gaskets
- LBV450VGL - 4" Butterfly valve c/w bonded seal and locking tab

## Specifications

<b>Technical Data</b>	Working pressure	1500kPa (210 PSI) in open position 850kPa (123 PSI) in closed position
	Maximum temperature	100°C
	Minimum temperature	-10°C
<b>Adjustment or Service</b>	Periodically (recommended every 6 months), inspect butterfly seat.	
<b>Materials of Construction</b>	Body	Cast aluminium
	Butterfly Disc	Cast aluminium
	Handle	Cast aluminium with zinc plated steel locking lever
	Spindle	Stainless steel
	Bonded Seal	Viton B70
<b>Mounting</b>	Mounts directly to Liquip 100mm TTMA flange with chamfered entry to ensure disc clearance in open position.	
<b>Dismantle</b>	Not a serviceable item. Use service-exchange.	
<b>Weight</b>	1.8kg	
<b>Associated Equipment</b>	BF4	100mm TTMA aluminium flange (also available in mild & stainless steel)
	0657V	100mm TTMA Viton gasket
	4248	100mm TTMA klingerite gasket
	LBV4-7	Locking tab
	LBV4-LA	Butterfly valve without handle ready to suit pneumatic actuator
	LBV4-AASRZ	LBV-LA & spring return pneumatic actuator with mounting kit
	LBV4-AAZ	LBV-LA & double acting pneumatic actuator with mounting kit

# LBV450 Series 100mm Butterfly Valve



ITEM NO.	PART NUMBER	DESCRIPTION	LBV450	LBV450VG	LBV450VGL	MATERIAL
1	LBV450-1	BODY WITH BONDED SEAL VITON B70	1	-	-	ALUMINIUM
	LBV450-2	BODY WITH BONDED SEAL VITON GFLT	-	1	1	ALUMINIUM
2	LBV450-3	SPINDLE	1	1	1	ST STEEL
3	LBV4-2	DISC FOR LBV4	1	1	1	ALUMINIUM
4	LBV3-1	HANDLE ASSY	1	1	-	ALUMINIUM
5	0225	O-RING	3	3	3	NITRILE
6	7608	WELCH PLUG	1	1	1	BRASS
7	0709	CAPSCREW METRIC	2	2	2	Z/P STEEL
8	0156	NUT NYLOC	2	2	2	Z/P STEEL
9	3368	JOINTING COMPOUND	1	1	1	SEALANT
10	LBV4-7	LOCK FOR LBV'S	-	-	1	ALUMINIUM

METERS - VALVES - VENTS - MANHOLES - HOSEREELS - OVERFILL PROTECTION - LOADING ARMS - ELECTRONIC DIPSTICKS