



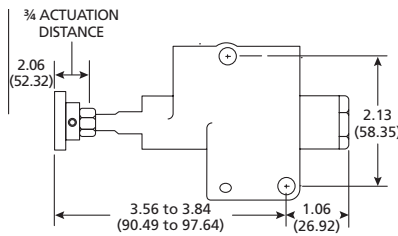
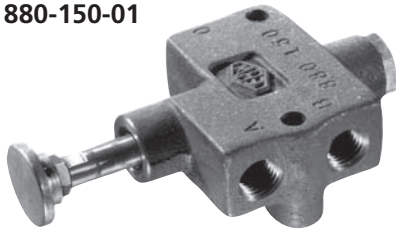
## Three-way Air Valves

Play it safe with this lightweight valve that locks up the brakes on the trailer, preventing it from leaving the loading rack while connected to the loading arm. This three-way air valve can be used normally open or normally closed, has an adjustable stem, and comes with standardized TTMA and API mounting holes. The anodized aluminum valve is used on all API bottom loading adapters and all Vapor Check Valves.

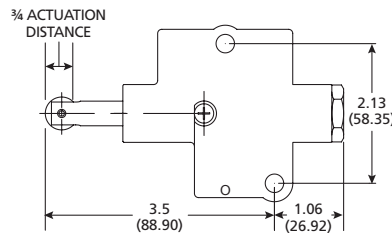
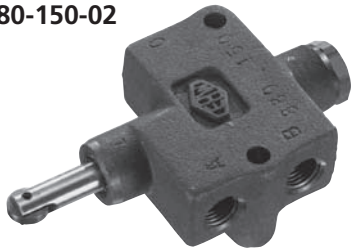
### Features

- Heat-treated, anodized aluminum construction.
- 1/4" NPT connection ports.
- Field serviceable.
- Adjustable stem button.

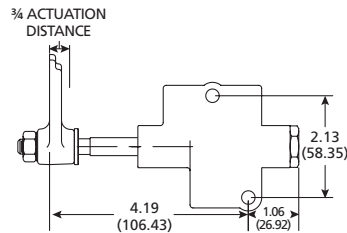
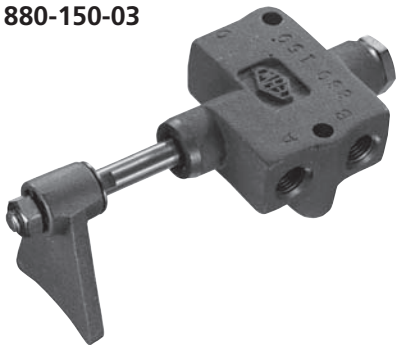
**880-150-01**



**880-150-02**



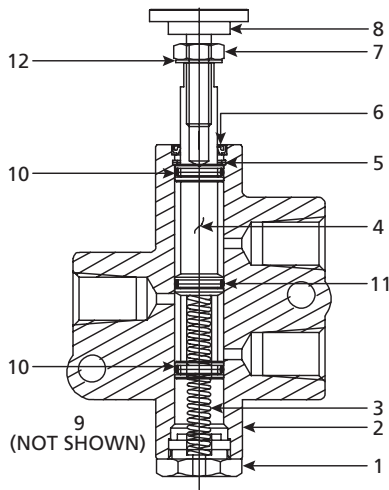
**880-150-03**



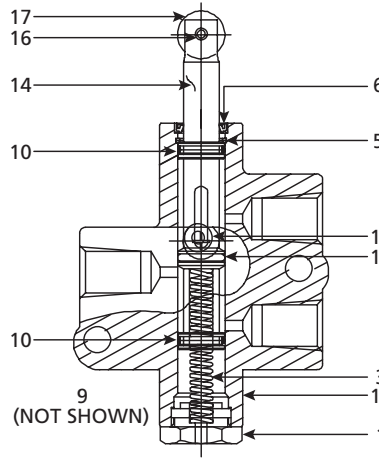
MODEL UNIT	880-150-01	880-150-02	880-150-03
Width (Inches/Millimeters)	3.00/76.2	3.00/76.2	3.00/76.2
Length (Inches/Millimeters)	4.25/107.96	4.25/107.96	4.25/107.95
Pounds	0.69	0.69	0.69
Kilograms	0.31	0.31	0.31



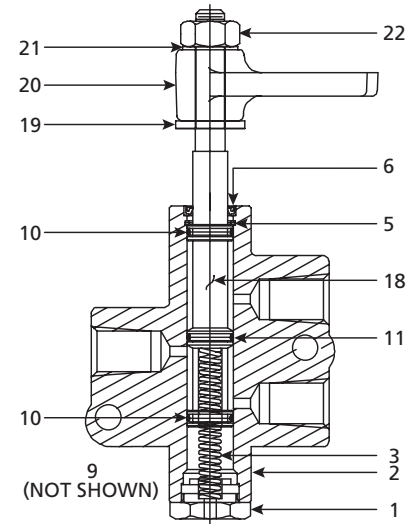
## Air Interlock Valves Parts List



-01 MODEL



-02 MODEL



-03 MODEL

#	PART NAME	QTY. REQ.			PART NUMBER	#	PART NAME	QTY. REQ.			PART NUMBER
		-01	-02	-03				-01	-02	-03	
1	Plug - Nut	1	1	1	880-145-01	14	Spool & O-ring Assembly, Roller Tip	0	1	0	880-171-02
2	Body Air Valve	1	0	1	880-323-01	15	Screw 6-32 x 0.62 (Self Sealing)	0	1	0	11477-01
3	Spring	1	1	1	880-148-01	16	Rollpin	0	1	0	881-119-01
4	Spool & O-ring Assembly	1	0	1	880-171-01	17	Roller	0	1	0	881-119-01
5	Retaining Ring	1	1	1	11090-04	18	Spool & O-ring Assembly	0	0	1	881-122-01
6	Dust Seal	1	1	1	880-142-01	19	Washer 5/16 Int. Lock	0	0	1	11163-05
7	Nut - 1/4-20 Hex Jam	1	0	0	11021-03	20	Actuator - Offset	0	0	1	881-120-01
8	Screw Adjuster 1.0	1	0	0	880-144-01	21	Washer 5/16 Int. Lock	0	0	1	11163-05
9	Screw 1/4-20 x 1.75 Hex Head	2	2	2	11063-07	22	Nut - 5/16-18 Hex	0	0	1	11179-05
10	O-ring	2	2	2	11134-01		880-150-01 Service Kit*	1	0	0	90012
11	O-ring	1	1	1	11134-02		880-150-02 Service Kit**	0	1	0	90055
12	Washer - 1/4 Int. Lock	1	0	0	11163-04		880-150-03 Service Kit***	0	0	1	90056
13	Body-Air Valve, Roller Tip	0	1	0	880-323-02						

\* Note: Service Kit includes: (1) #3, (1) #4, (1) #5, (1) #6, (1) #7, (1) #8, (1) #12

\*\*Note: Service Kit includes: (1) #3, (1) #5, (1) #6, (1) #14, (1) #15, (1) #16, (1) #17

\*\*\*Note: Service Kit includes: (1) #3, (1) #5, (1) #6, (1) #18, (1) #19, (1) #20, (1) #21, (1) #22

PART NUMBER	DESCRIPTION
880-113-01	Screw Adjuster Assembly 1.5" Button
880-150-01	Three-way Air Interlock Valve
880-150-02	Three-way Air Interlock Valve, Roller Tip
880-150-03	Three-way Air Interlock Valve, Offset Actuator