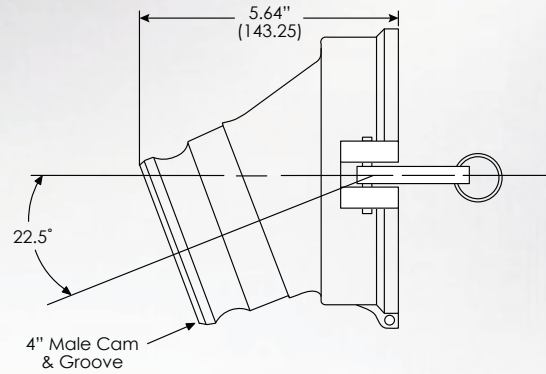


# Male Gravity Drop Adapter

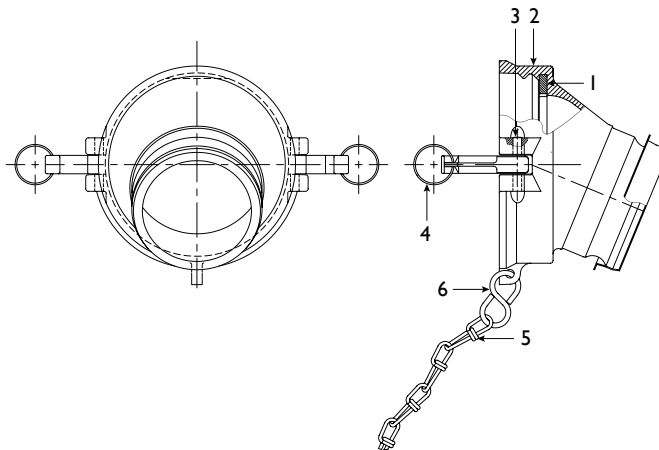


880-411-01



Model Unit	880-410-01	880-411-01
Size (Inches/Millimeters)	3.00/76.2	4.00/101.6
Weight (Pounds/Kilograms)	4.00/1.81	5.00/2.27

## Male Gravity Drop Adapter Part List



#	Part Name	Part Number
1	Rubber Gasket	880-206-01
2	4" Drop Adapter - Body Only	880-412-01
3	Groove Pin	11125-07
4	Cam Arm & Pull Ring Assembly	774-116-03

#	Part Name	Part Number
5	Double Loop Chain	880-115-02
6	S-Hook	11110-01

Part Number	Description
880-410-01	3" Male Cam & Groove
880-411-01	4" Male Cam & Groove
880-206-01	Gasket - API End