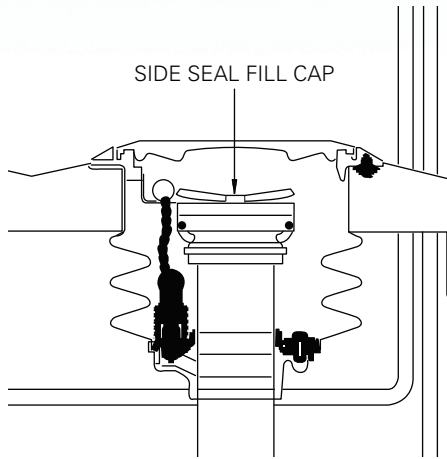




## 775 4" SIDE SEAL FILL CAP

The EBW side seal fill cap is used to prevent vapors from escaping from the fill riser pipe on the underground storage tank when it is not being filled. The easy-to-operate T-handle provides a convenient method of removal and replacement — simply pull to remove and push to replace.



### Highlights

- Padlock capability for positive locking.
- Stainless steel latches.
- Cap body made from corrosion-resistant epoxy-coated aluminum.
- Iron-copper infiltrated cams.

Model	Description	Weight	
		Lbs	Kg
77520201	4" side seal fill cap	2.00	0.90
Model	Description		
77510401	4" replacement gasket		